

030-1200 Round Paddle Handle



The 030-1200 Round Paddle Handle was designed for use on personnel and compartment doors for light to medium duty on or off-highway applications. This ergonomic handle offers compact size for a cost effective price and brings a modern look and function to your cabs and enclosures.

DESIGNED FOR:

- Light to medium duty agricultural and construction personnel and compartment doors
- Any baggage or compartment door
- Use in a direct latch release application or use in conjunction with a bellcrank for single point remote actuation

Global Locations:

TriMark Corporation
500 Bailey Avenue
P.O. Box 350
New Hampton, Iowa 50659
United States
Tel: 641-394-3188
Fax: 641-394-2392
1-800-447-0343
www.trimarkcorp.com

TriMark Europe
Cedar Court
Walker road
Bardon Hill
Coalville LE67 1TU
United Kingdom
Tel: +44(0)1530 512460
Fax: +44(0)1530 512461
www.trimarkeu.com

TriMark (Xuzhou)
Building A5 Jingwu Road
Xuzhou Economic
Development Zone
Xuzhou, Jiangsu
221004 PR China
Tel: +86 516 8773 0018
Fax: +86 516 8773 0058
www.trimarkcn.com



TriMark. Interactive. Product. Selector



TriMark



TriMark Corporation

FEATURES/BENEFITS:

- Ergonomic function and styling
- Interior or exterior applications
- Rigid handle when locked
- KeyOne™ Plus features the ability to key-alike an entire vehicle with a single reversible key for ease of operation and larger body diameter for enhanced security. Also allows for serviceability of the lock cylinder.
- Non-handed configuration allows for universal applications

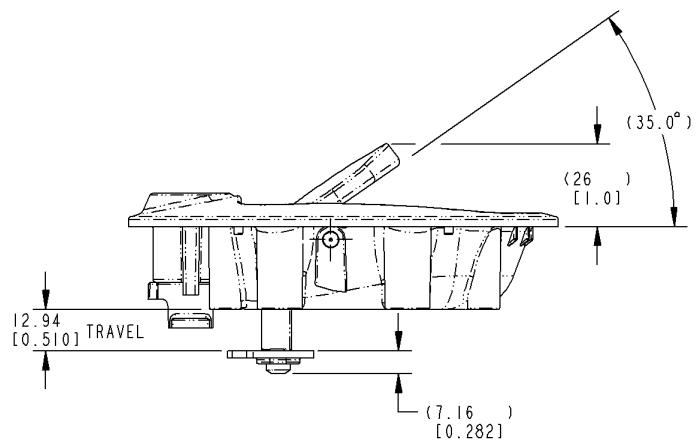
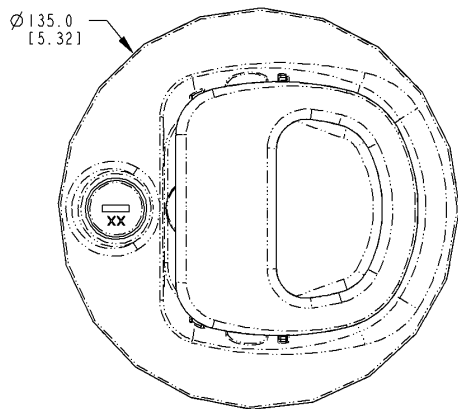
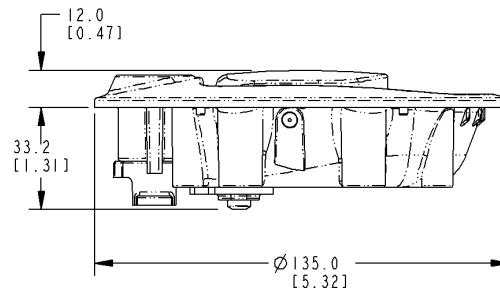
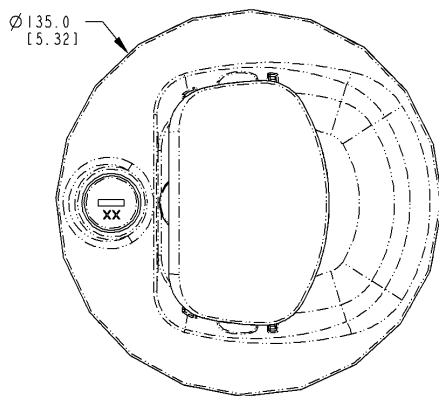


AVAILABLE:

- With a conventional paddle or open bail style handle for maximum leverage
- Can be keyed alike with most single and reversible key systems
- In locking or non-locking configurations
- With gasket for maximum water resistance
- With standard mounting bracket

MATERIAL:

- Handle, paddle and actuator: engineered plastic withstands corrosion and UV exposure
- Spring: non-corrosive stainless steel



Bail Style Handle

INSTALLATION:

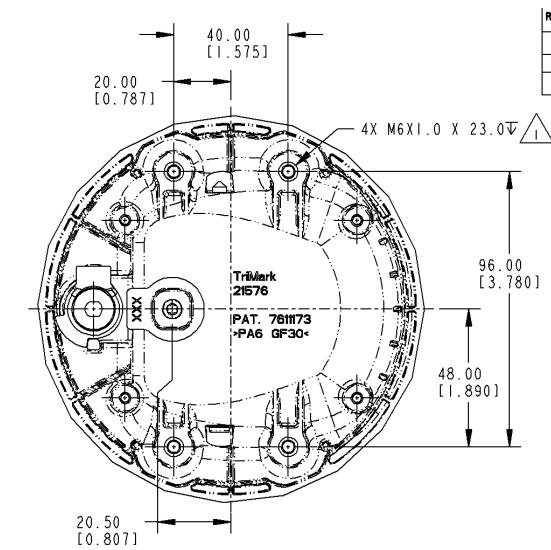
- Easy installation with (4) M6 high performance thread forming fasteners (available)
- Allows for glass mounting through a single 120mm diameter hole or steel through a double-D cutout

U.S. Patent No. 7,611,173
Design Patent D541,129


CAUTION: Product does not meet the locking requirements for FMVSS 206 (ECE R11).

Individual part dimensions are for reference only. Refer to individual part drawings for complete dimensions, specifications, and installation procedures. Engineering assistance and application drawings are available.

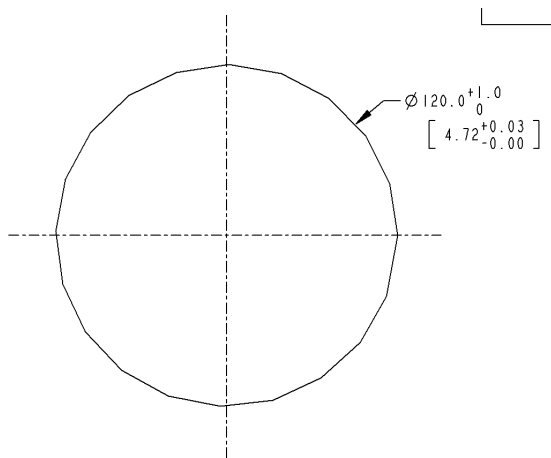
For more information visit
www.trimarkcorp.com



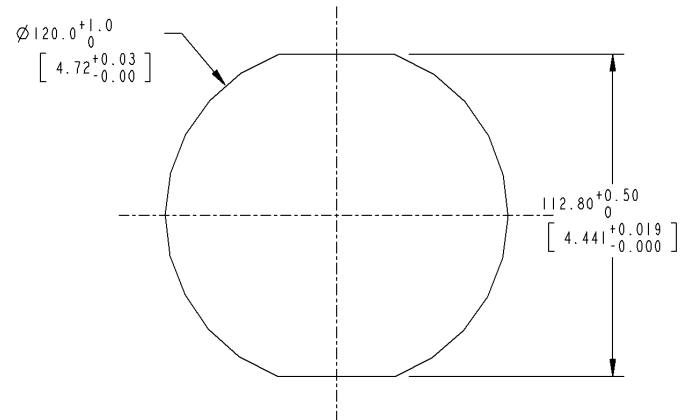
REVISION	ECO	ECO BY	DESCRIPTION
1	RLSE	CJM 11/29/06	RELEASED FOR PRODUCTION FROM REV LVL C
2	26482	RLO 3/8/10	UPDATED VIEWS.

NOTE: UNLESS OTHERWISE SPECIFIED;
 RECOMMENDED INSTALLATION TORQUE TO BE 9.4-11.5 N-m [83-102 lbf-in]

METRIC



Glass Cutout



Steel Cutout